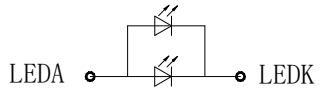


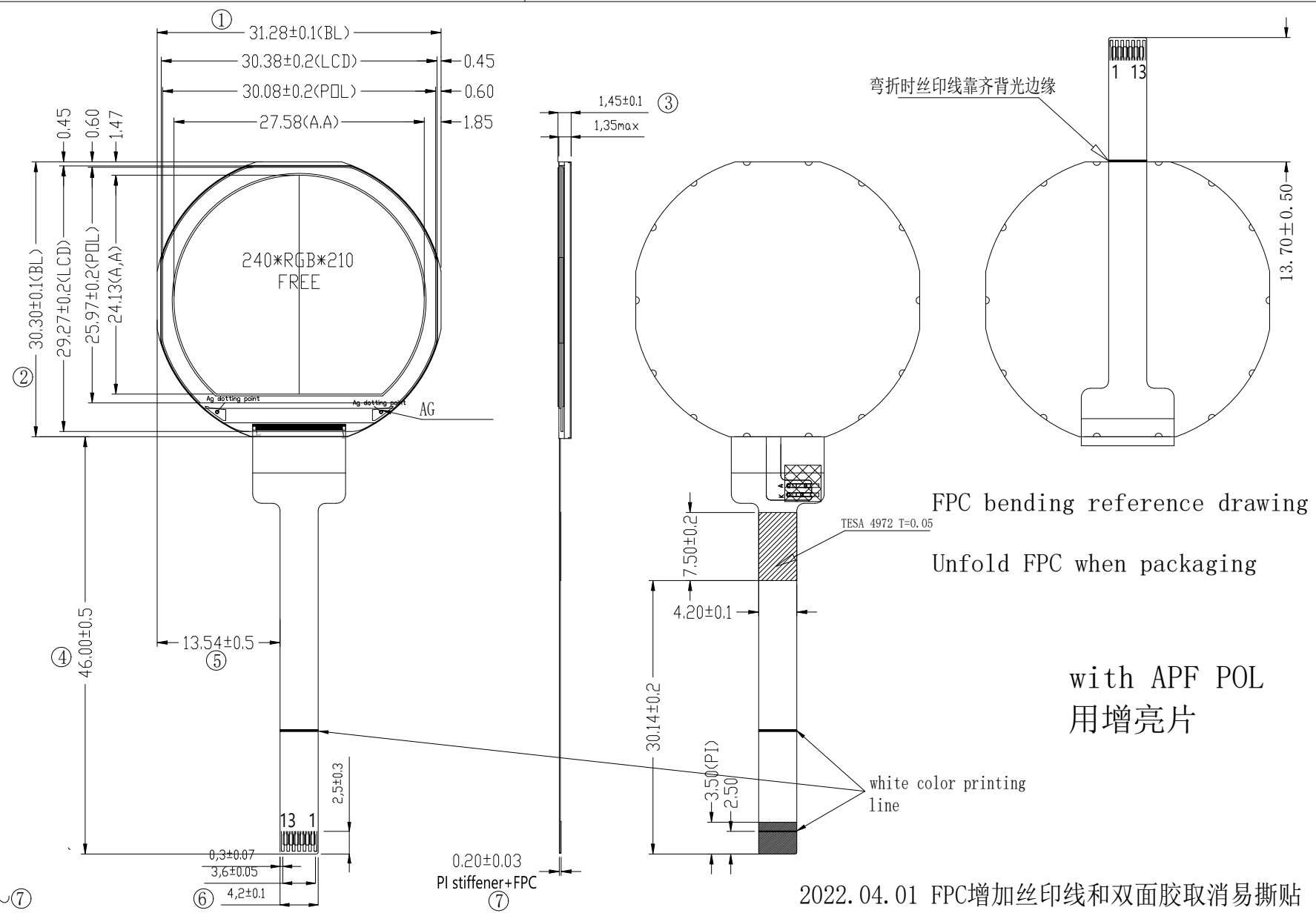
PIN	NAME
1	LEDK2
2	LEDK1
3	LEDA
4	GND
5	FMARK
6	SDA
7	RS
8	SCLK
9	CS
10	RESET
11	IOVCC
12	VCC
13	GND

SPI-4LINE



BACKLIGHT (CIRCUIT DIAGRAM)
VF=3.2V IF=40mA

- NOTES:
1. GENERAL TOLERANCE: ± 0.2
 2. () REFERENCE DIMENSION
 3. Important dimension:



FPC bending reference drawing
Unfold FPC when packaging

with APF POL
用增亮片

2022.04.01 FPC增加丝印线和双面胶取消易撕贴

LCD Type	1.08" TFT, Transmissive
Resolution	Normally black 240(RGB)*210
View Direction	All o'clock
LCD driver IC	ST7789V
Colour depth	65K
Interface types	SPI
Operating voltage	2.5-3.3V
With TP/Lens	without
Backlight	2 LEDs, 40mA(typ), 3.2V(ref)
Surface luminance	750 ~ 800 cd/m ²
Operating temperature	-20°C ~ 60°C
Storage temperature	-30°C ~ 70°C
Color chromaticity	[white] x:0.30±0.03/y:0.32±0.03

版本 (Version)	变更记录 (Revise History)	日期 (Date)
A0	Initial release	2022.08.03
A1	按样品实测亮度更新产品亮度参数	2022.08.26

设计 (DESIGN)	hcr
审核 (CHECKED)	Aron
批准 (APPROVED)	Aron
客户承认 (CUSTOMER APPROVAL)	

一 众 显 示

TEAM SOURCE DISPLAY

TITLE: LCM	页面 (Page) 1 / 1
Drawing No. TST108103B	单位 (Unit) mm
	比例 (SCALE) 1 : 1
	角度 (Angle)