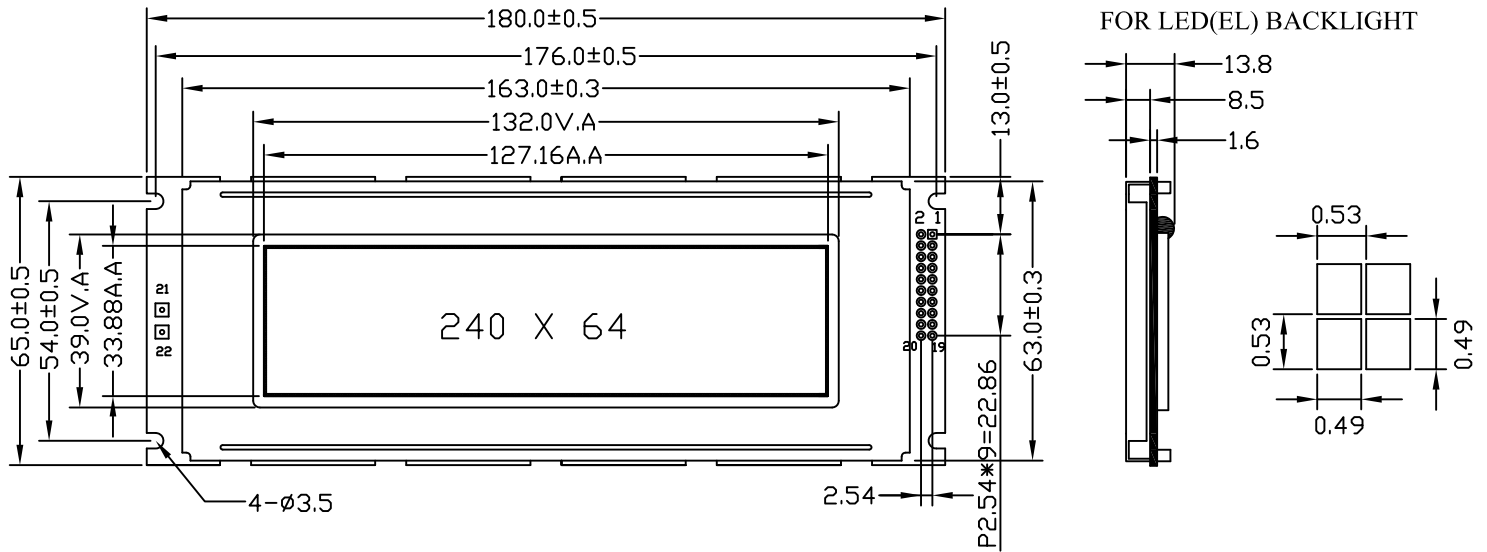


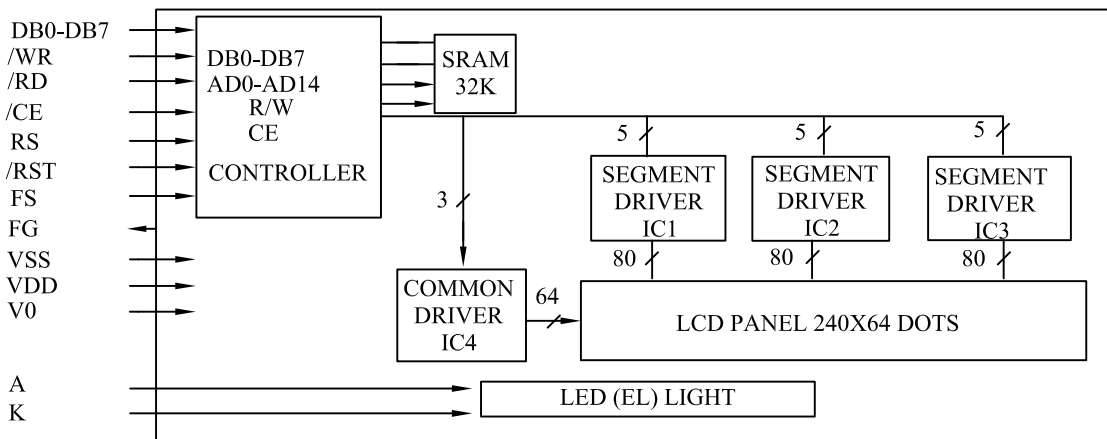
TSM24064J-D01

240 X 64 DOTS STN
1/64 DUTY, 1/9 BIAS

EXTERNAL DIMENSIONS



BLOCK DIAGRAM



PIN CONFIGURATION

1	2	3	4	5	6	7	8	9	10	11	12	13	14	15	16	17	18	19	20	21	22
FG	VSS	VDD	V0	/WR	/RD	/CE	RS	NC	/RST	DB0	DB1	DB2	DB3	DB4	DB5	DB6	DB7	FS	Vout	A	K
H	0V	5.0V	-6.5V	L	L	L	H	NC	L	H/L								H	-9.7V	5.0V	0V

MECHANICAL DATA

ITEM	SPECIFICATION	UNIT
Module Size (W×H×D)	180.0 × 65.0 × 14.5	mm
Viewing Area (W×H)	132.0 × 39.0	mm
Number of Dots	240 × 64	dots
Character Size (W×H)	0.49 × 0.49	mm
Character Pitch (W×H)	0.53 × 0.53	mm

ABSOLUTE MAXIMUM RATINGS

ITEM	SYMBOL	MIN	MAX	UNIT
Supply Voltage Logic	Vdd-Vss	-0.3	7.0	V
Supply Voltage Driver	Vdd-V0	-0.3	30	V
Input Voltage	Vi	Vss	Vdd	V
Operating Temperature	Ta	-20	+70	°C
Storage Temperature	Tstg	-30	+80	°C