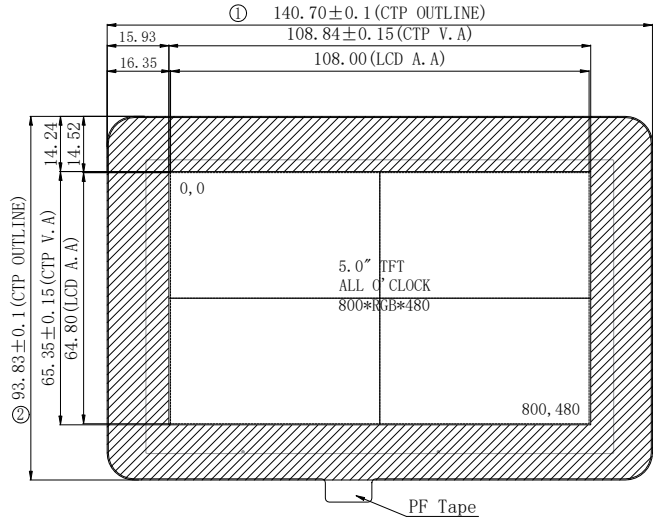
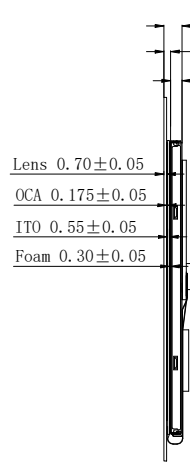


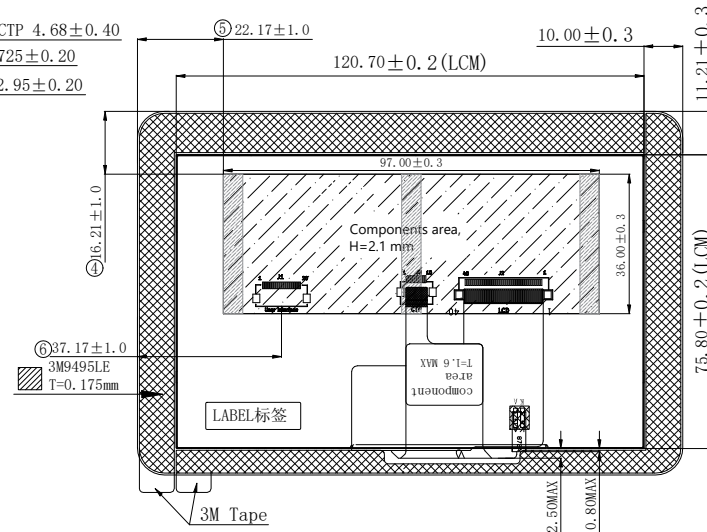
Front View



Side View



Back View



PIN	DESCRIPTION
1	VDD+5V
2	VDD+5V
3	NC
4	GND
5	GND
6	NC
7	NC
8	GND
9	NC
10	BEEP/NC
11	GND
12	USB_DM
13	USB_DP
14	GND
15	GND
16	UART_TXD
17	UART_RXD
18	SYS_RST
19	BUSY
20	GND

NOTES:

1. GENERAL TOLERANCE: ±0.2
2. () REFERENCE DIMENSION
3. Important dimension: ①~⑥



Features :

1. Use PC software editor UI;
2. USB port update;
3. UART interface, applicable to small microcontrollers with limited resource, such as 8051, AVR, PIC, Z80, ARM and etc.
4. Option: UART can be converted to RS-232, RS-485 or USB serial port.

LCD Type	5.0" TFT, Transmissive Normally black, IPS
Resolution	800(RGB)*480
View Direction	All o'clock
LCD driver IC	ST7262-G4-E
Color depth	16.7M
Interface types	UART
Operating voltage	VDD:+5.0V; I/O: 3.3V
With TP/Lens	With CTP (IC: FT5446DQS)
Backlight	18 LEDs, 60mA, 18.6V (typ)
Surface luminance	450 cd/m ²
Operating temperature	-20°C~70°C
Storage temperature	-30°C~80°C
Color chromaticity	[white] x/y:

版本 (Version)	变更记录 (Revise History)	日期 (Date)
A0	Initial release	2022.04.09

设计 (DESIGN)	Zahi
审核 (CHECKED)	Aron
批准 (APPROVED)	Aron
客户承认 (CUSTOMER APPROVAL)	



TITLE: LCM+CTP+PCB	页面 (Page) 1 / 1
Drawing No. ProLCD-T050C01	单位 (Unit) mm
	比例 (SCALE) 1 : 1
	角度 (Angle) ⊙