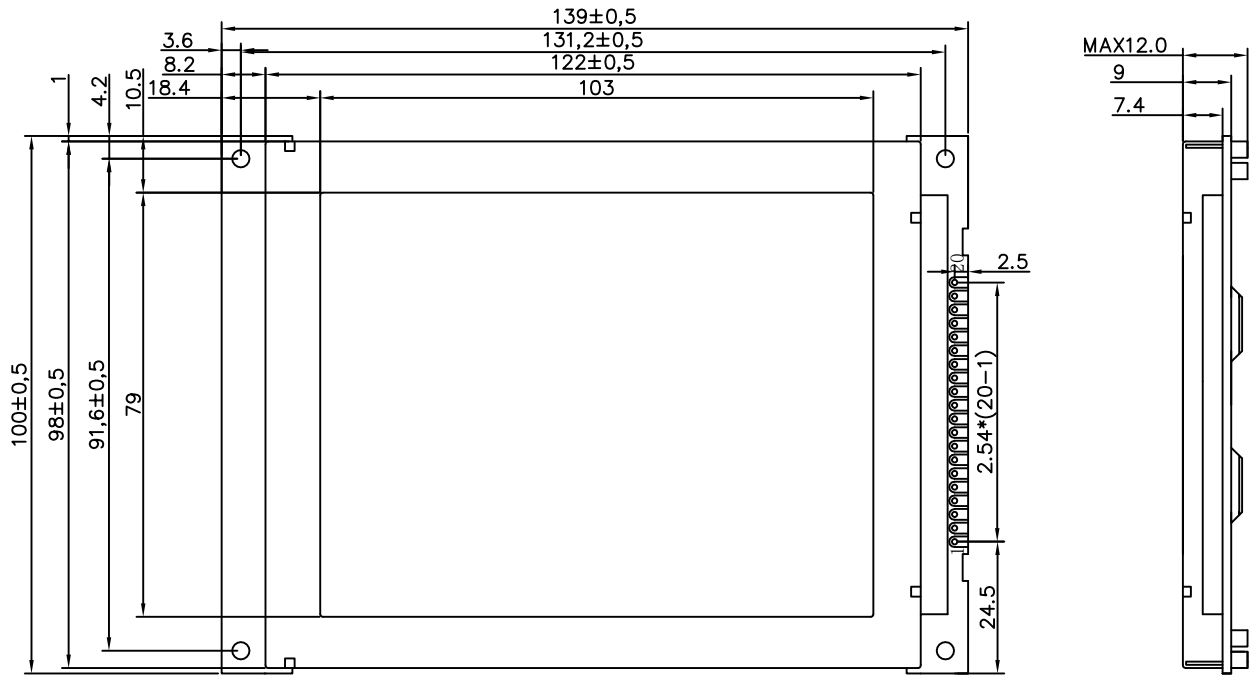




## ① PHYSICAL DIMENSION

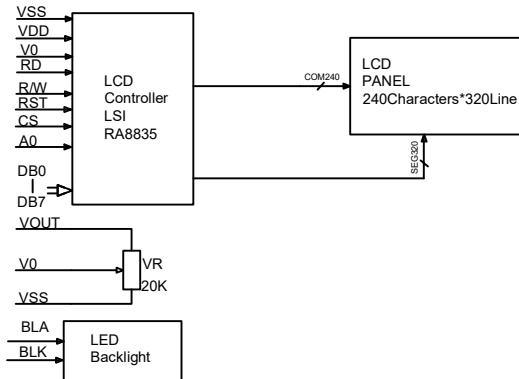
型号：TSM320240-2



## ② FEATURES

Feature		UNIT
LCD type & Colour	STN Yellow-green ;STN Blue ;FSTN	
View Angle	6 0' clock	
Operating temperature	-20°C ---- 70°C	
STORAGE TEMPERATURE	-30°C ---- 80°C	
Control IC & Package	RA8835 , SMT	
Weight	185 (With B/L)	g
Backlight	LED	
Supply current doesn't contain backlight	19 (Ta=25°C, VDD=5.0V)	mA

## ④ BLOCK DIAGRAM



## ③ PIN CONFIGURATION

ITEM	SYMBOL	DESCRIPTION
1	VSS	Power ground
2	VDD	Power positive (+5V+10%).
3	V0	Operating voltage for LCD Driver(variable)
4	R/W	Read or Write.
5	RD	Register select
6	CS	Chip select
7	A0	H:Data L:Instruction Code
8	RST	Reset Signal
9	DB0	Data bus [0~7]. These state I/O common terminal.
10	DB1	
11	DB2	
12	DB3	
13	DB4	
14	DB5	
15	DB6	
16	DB7	
17	NC	Busy Check Pin
18	VOUT	Negative voltage output
19	BLA	Power supply for backlight(+)
20	BLK	Power supply for backlight(-)

## ⑤ ABSOLUTE MAXIMUM RATINGS (25°C)

PARAMETER	SYMBOL	MIN.	TYP.	MAX.	UNIT
SUPPLY VOLTAGE LOGIC	VDD	-0.3	+5.0	+5.5	V
SUPPLY VOLTAGE DRIVER	VLCD-V0	-0.3	-9.0	-14.0	V
INPUT VOLTAGE	VIN	-0.3	+5.0	VDD+0.3	V